



5 CANDEUB CT. • SUITE #3 • MANALAPAN, NJ 07726-8438  
**PHONE (732) 617-1177 • FAX (732) 536-7508**  
**CELL (908) 770-6543 • www.mannystone.com**

*National Stationery Show®*

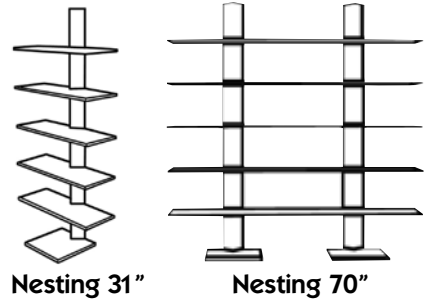
**Jacob K. Javits Convention Center**  
**May 16 - 19, 2010**

**FREE STANDING • NESTING • MAPLE SHELVING ORDER FORM**

**Features and Benefits:** Using multiple maple shelving units creates continuous runs of uninterrupted horizontal display surface. Attractive, contemporary styling that puts the focus on your product. A great displayer for gift items, folded garments & shoes.  
**Nesting Shelves Specifications:** Dimensions: Unit heights 72" • Five shelves 31" or 70" long, 11.75" deep • Bottom shelf 12" from floor • 12" gap between each shelf. **Materials:** Polyurethaned maple ply.

SHELVES	QTY.	INSTALLED		(A)(B)(C)(D) TOTALS
31" NESTING MAPLE SHELVES		DISCOUNT \$189 each	SHOW \$219 each	(A)
70" NESTING MAPLE SHELVES		DISCOUNT \$349 each	SHOW \$379 each	(B)
31" NESTING WHITE SHELVES		DISCOUNT \$219 each	SHOW \$249 each	(C)
70" NESTING WHITE SHELVES		DISCOUNT \$369 each	SHOW \$399 each	(D)

**SPECIAL REDUCED PRICING**  
 when ordering 9 or more uprights.  
 Call for pricing.



Accurate photos of shelving items can be viewed on our web site at [www.mannystone.com](http://www.mannystone.com) — click on accessories of an exhibit

**TERMS:** Payment in full with placement of order.  
**CANCELLATION:** 50% restocking fee with non-refundable 50% balance to be applied to a future show at the Javits Center within 12 months.

**PAYMENT:** (please circle one)  
 Company Check    Certified Check    Mastercard    Visa    Amex

Card # \_\_\_\_\_ Exp. Date \_\_\_\_\_  
 Security # (3 digit # on back of card) \_\_\_\_\_

**Credit Card Billing Address** \_\_\_\_\_ **Zip** \_\_\_\_\_

Card Holder (please print) \_\_\_\_\_

Card Holder's Signature \_\_\_\_\_

Company Name \_\_\_\_\_ Contact \_\_\_\_\_

Company Street Address \_\_\_\_\_

City \_\_\_\_\_ State \_\_\_\_\_ Zip \_\_\_\_\_

Phone \_\_\_\_\_ Fax \_\_\_\_\_

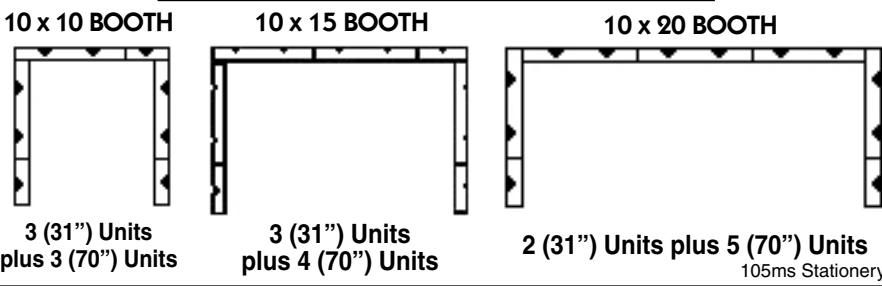
Cell # \_\_\_\_\_ E-mail Address \_\_\_\_\_

**Estimated Time of Your Arrival**  
 Date \_\_\_\_\_ Time \_\_\_\_\_

**MUST INCLUDE YOUR BOOTH #**

**Fax Orders To: (732) 536-7508**  
 Mail Orders To:  
 Manny Stone Decorators  
 5 Candeub Ct., Suite #3, Manalapan, NJ 07726-8438

**Shelving Placement in Booth Required**



TOTAL A	
TOTAL B	
TOTAL C	
TOTAL D	
SUBTOTAL	
8.875% NYC SALES TAX	
<b>TOTAL</b>	