



5 CANDEUB CT. • SUITE #3 • MANALAPAN, NJ 07726-8438
PHONE (732) 617-1177 • FAX (732) 536-7508
CELL (908) 770-6543 • www.mannystone.com

boutique
DESIGN
 new YORK

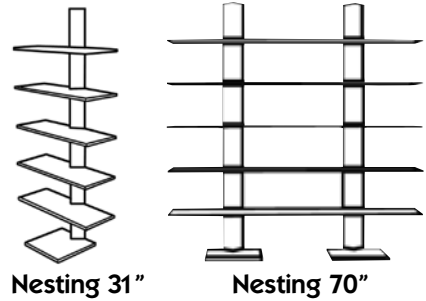
Jacob K. Javits Convention Center North
November 14 - 15, 2010

FREE STANDING • NESTING • MAPLE SHELVING ORDER FORM

Features and Benefits: Using multiple maple shelving units creates continuous runs of uninterrupted horizontal display surface. Attractive, contemporary styling that puts the focus on your product. A great displayer for gift items, folded garments & shoes.
Nesting Shelves Specifications: Dimensions: Unit heights 72" • Five shelves 31" or 70" long, 11.75" deep • Bottom shelf 12" from floor • 12" gap between each shelf. **Materials:** Polyurethaned maple ply.

SHELVES	QTY.	INSTALLED		(A)(B)(C)(D) TOTALS
31" NESTING MAPLE SHELVES		DISCOUNT \$189 each	SHOW \$219 each	(A)
70" NESTING MAPLE SHELVES		DISCOUNT \$349 each	SHOW \$379 each	(B)
31" NESTING WHITE SHELVES		DISCOUNT \$219 each	SHOW \$249 each	(C)
70" NESTING WHITE SHELVES		DISCOUNT \$369 each	SHOW \$399 each	(D)

SPECIAL REDUCED PRICING
 when ordering 9 or more uprights.
 Call for pricing.



Accurate photos of shelving items can be viewed on our web site at www.mannystone.com — click on accessories

Show Rates apply on all orders received after Nov. 5, 2010.

TERMS: Payment in full with placement of order.
CANCELLATION: 50% restocking fee with non-refundable 50% balance to be applied to a future show at the Javits Center within 12 months.

PAYMENT: (please circle one)

Company Check Certified Check Mastercard Visa Amex

Card # _____ Exp. Date _____

Security # (3 digit # on back of card) _____

Credit Card Billing Address _____ **Zip** _____

Card Holder (please print) _____

Card Holder's Signature _____

Company Name _____ Contact _____

Company Street Address _____

City _____ State _____ Zip _____

Phone _____ Fax _____

Cell # _____ E-mail Address _____

Estimated Time of Your Arrival
 Date _____ Time _____

MUST INCLUDE YOUR BOOTH #

Fax Orders To: (732) 536-7508

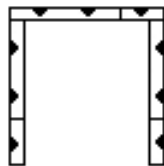
Mail Orders To:
 Manny Stone Decorators
 5 Candeub Ct., Suite #3, Manalapan, NJ 07726-8438

INSTALLATION BY JAVITS UNION LABOR INCLUDED WITH ALL ORDERS

TOTAL A	
TOTAL B	
TOTAL C	
TOTAL D	
SUBTOTAL	
8.875% NYC SALES TAX	
TOTAL	

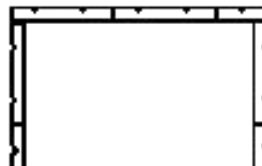
Shelving Placement in Booth Required

10 x 10 BOOTH



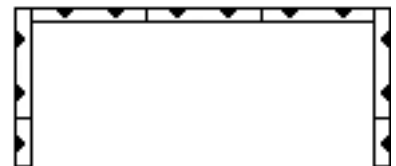
3 (31") Units plus 3 (70") Units

10 x 15 BOOTH



3 (31") Units plus 4 (70") Units

10 x 20 BOOTH



2 (31") Units plus 5 (70") Units