



5 CANDEUB CT. • SUITE #3 • MANALAPAN, NJ 07726-8438
PHONE (732) 617-1177 • FAX (732) 536-7508
CELL (908) 770-6543 • www.mannystone.com



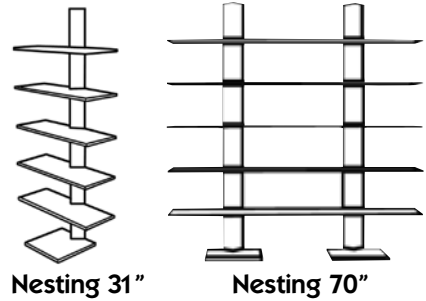
**New York's Newest
 Pier 92
 At Home
 Pier 94
 August 14 - 18, 2010**

FREE STANDING • NESTING • MAPLE SHELVING ORDER FORM

Features and Benefits: Using multiple maple shelving units creates continuous runs of uninterrupted horizontal display surface. Attractive, contemporary styling that puts the focus on your product. A great displayer for gift items, folded garments & shoes.
Nesting Shelves Specifications: Dimensions: Unit heights 72" • Five shelves 31" or 70" long, 11.75" deep • Bottom shelf 12" from floor • 12" gap between each shelf. **Materials:** Polyurethaned maple ply.

SHELVES	QTY.	INSTALLED		TOTALS			
		DISCOUNT each	SHOW each	(A)	(B)	(C)	(D)
31" NESTING MAPLE SHELVES		\$199	\$229				(A)
70" NESTING MAPLE SHELVES		\$359	\$389				(B)
31" NESTING WHITE SHELVES		\$229	\$259				(C)
70" NESTING WHITE SHELVES		\$379	\$409				(D)

**SPECIAL
 REDUCED
 PRICING**
 when ordering
 9 or more
 uprights.
 Call for pricing.



Accurate photos of shelving items can be viewed on our web site at www.mannystone.com — click on accessories

**INSTALLATION
 BY UNION LABOR
 INCLUDED
 WITH ALL ORDERS**

Show Rates apply on all orders received after August 6, 2010.

TERMS: Payment in full with placement of order.
CANCELLATION: 50% restocking fee with non-refundable 50% balance to be applied to a future show at the Piers within 12 months.

PAYMENT: (please circle one)
 Company Check Certified Check Mastercard Visa Amex

Card # _____ Exp. Date _____
 Security # (3 digit # on back of card) _____

Credit Card Billing Address _____ **Zip** _____

Card Holder (please print) _____

Card Holder's Signature _____

Company Name _____ Contact _____

Company Street Address _____

City _____ State _____ Zip _____

Phone _____ Fax _____

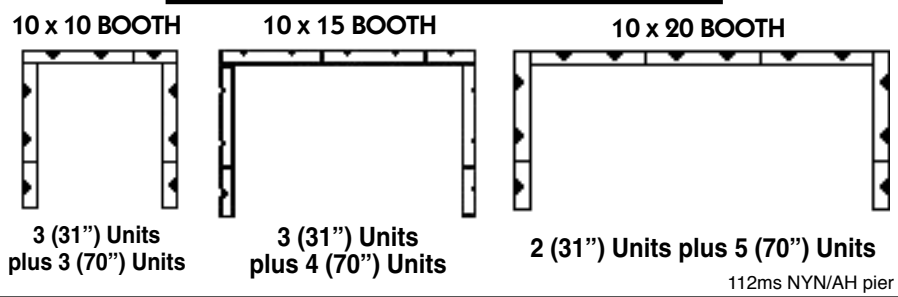
Cell # _____ E-mail Address _____

Estimated Time of Your Arrival
 Date _____ Time _____

**MUST INCLUDE
 YOUR BOOTH #**

Fax Orders To: (732) 536-7508
 Mail Orders To:
 Manny Stone Decorators
 5 Candeub Ct., Suite #3, Manalapan, NJ 07726-8438

Shelving Placement in Booth Required



TOTAL A	
TOTAL B	
TOTAL C	
TOTAL D	
SUBTOTAL	
8.875% NYC SALES TAX	
TOTAL	